

Linear Irrigation



Square, Rectangular, and Irregular Fields



What are Your Irrigation Needs?

Evaluate Your Field for Linear Irrigation

Linear irrigation offers great advantages of coverage and flexibility not found in other irrigation systems. These advantages can increase your field's potential and your bottom line.

However, not all fields are suited for linear irrigation. Consider the complete irrigation system, including water source, delivery and field application. Then carefully consider your operation and management structure.

Linear Benefits

Maximize irrigated area

A linear typically irrigates 92% to 98% of a square or rectangular field.

Reduce labor costs

A linear will reduce your labor by 50% compared with surface, side roll or hand move irrigation.

Maximize crop production with limited resources

Linears conserve water by applying only the amount of water that is needed, where it is needed.

Irrigate difficult soil types effectively

Linear irrigation delivers lower rates of water as compared to the outer portion of a pivot. This can help eliminate runoff when irrigating on certain soil types.

Does more than just irrigate

Multiple purpose equipment may be used to provide your farm management program with chemigation, fertigation, germination and leaching.



Rainger hose drag



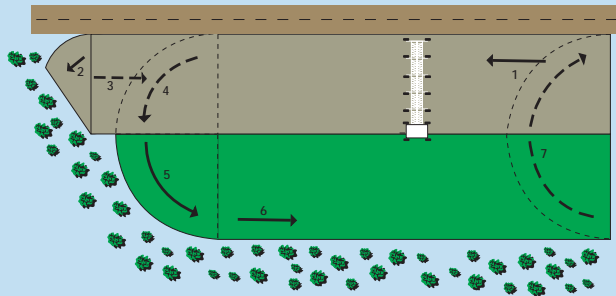
Linear span with below ground guidance

Linear Field Applications

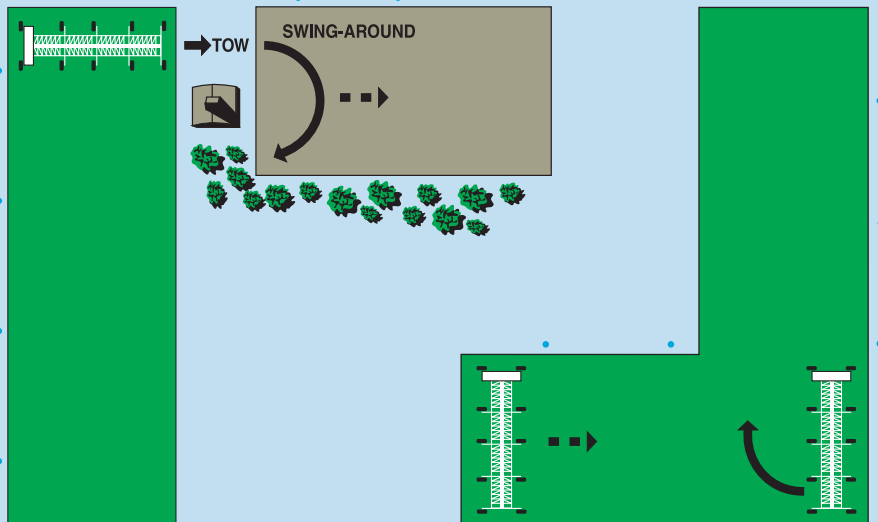
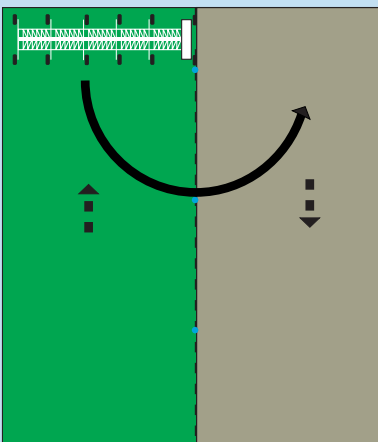
Rainger™ and Two Wheel Linear



Universal with Pro2 AutoPilot



Universal Linear and Two Wheel Linear



Rainger ditch feed with auxiliary platform and chemigation

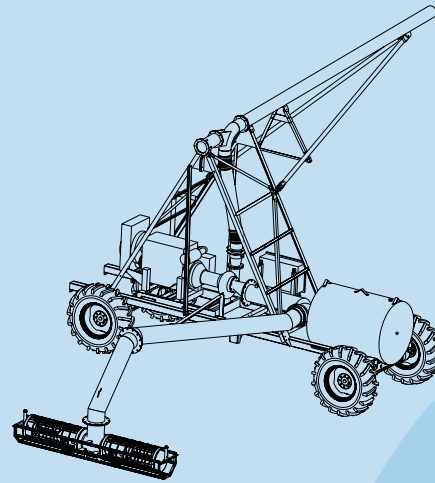
Universal ditch feed

Rainger ditch feed with above ground guidance and rolling suction

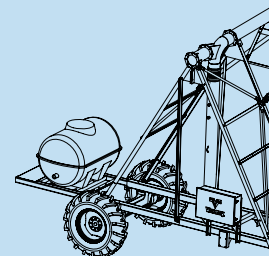
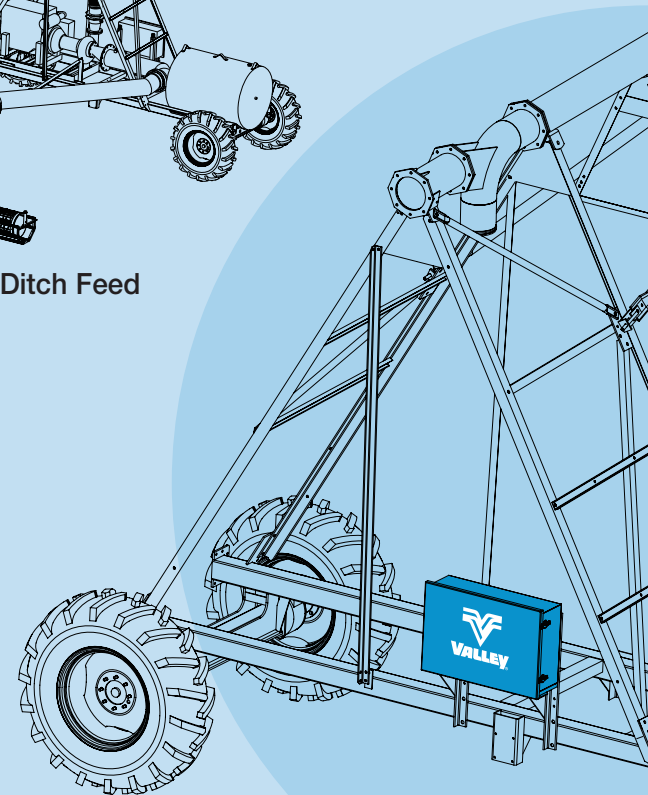
Valley® Rainger™ Linear Line

Rainger Ditch Feed

| | Ditch Feed |
|---------------------|---|
| Water source | Earthen ditch or concrete canal |
| Power source | Cart mounted genset |
| Guidance | Above- or below-ground cable or furrow |
| Typical field sizes | 320-1,500 acres 130-607 hectares |
| Typical flow rates | 500-4,500 gpm 32-284 lps |
| Chemigation | On board tanks |
| Engines | John Deere, Caterpillar, Cummins, Deutz |



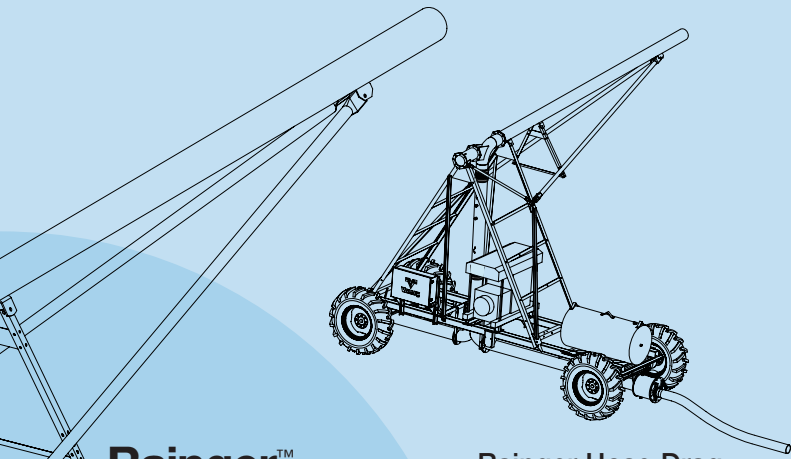
Rainger Ditch Feed



Rainger with Auxiliary



Rainger ditch feed on concrete ditch

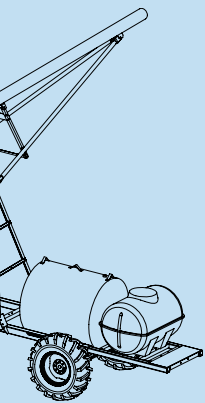
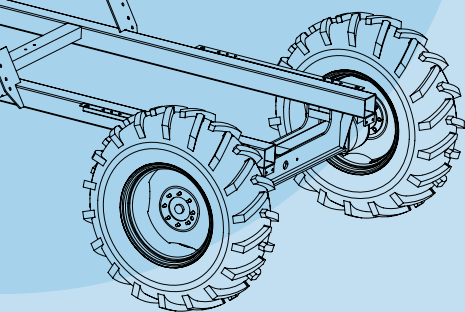


Rainger Hose Drag

Rainger™

The features for the basic cart are:

- Five inch tube frame
- Same frame used for ditch feed and hose drag linears
- Option to add the features you need
- Auxiliary platform



Platform Options

Rainger Hose Drag

| | Hose Drag |
|---------------------|--|
| Water source | Pressurized pipeline |
| Power source | Cart mounted genset or power cord |
| Guidance | Above- or below-ground cable or furrow |
| Typical field sizes | 10-240 acres 4-97 hectares |
| Typical flow rates | 200-1,400 gpm 12-88 lps |
| Hose sizes | 4, 6 & 8 inch HDPE 120, 150 & 200mm |
| Gensets | Isuzi, Caterpillar, John Deere, Deutz |



Rainger hose drag with cart mounted booster pump

Linears for Towable and Swing-Around Applications

Universal

Designed for swing-around applications. A perfect option to reduce your per acre (ha) investment.

- Automated option
- Automatically transitions from linear to pivot mode and back again

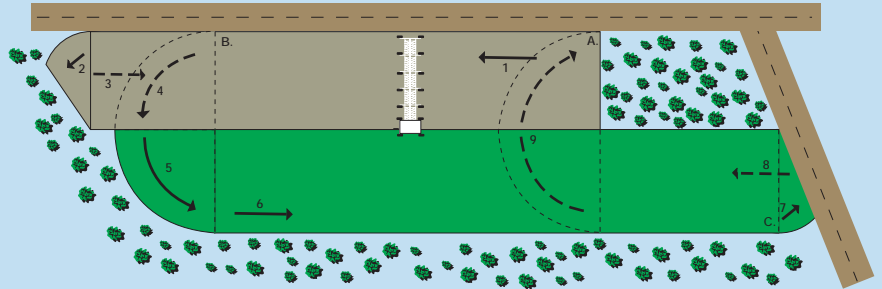
Universal Hose Drag

- Easy swing-around capabilities
- Eight span maximum
- Furrow, above or below ground guidance

Universal Ditch Feed

- Side ditch suction
- Above or below ground guidance
- No priming required

Valley Pro2 AutoPilot Option



1. The Pro2 AutoPilot starts at point A and travels straight down the field while irrigating.
2. The machine pivots to irrigate the end of the field up to the edge of the forest.
3. The Pro2 AutoPilot reverses direction and runs dry back to point B.
4. It pivots dry.
5. It pivots and irrigates the edge of the field.
6. The machine changes to linear mode and travels straight down the field while irrigating.
7. It pivots at point C to irrigate to the edge of the road.
8. The Pro2 AutoPilot reverses direction and runs dry.
9. It pivots dry back to point A.



Universal ditch feed



Universal hose drag



Two Wheel with public power option



Two Wheel Linear

Two Wheel Hose Drag

Great for smaller fields. Stretches your investment with mobile field-to-field applications, allowing you to follow crops during the growing season.

- Swing-around or towable
- Eight span maximum
- Furrow or below ground guidance



The standard linear travels up and down square or rectangular fields.



Two Wheel with genset

Linear Application Guide

| | Rainger™ | Two Wheel | Universal |
|----------------------------|---|---|--------------------------------|
| CONFIGURATION | | | |
| Hose drag | Yes | Yes | Yes |
| Ditch feed | Yes | No | Yes |
| End feed | Yes | Yes | Yes |
| Center feed | Yes | No | No |
| Swing-around | No | Yes | Yes Pro2 AutoPilot optional |
| Maximum length | 3,200 ft. 975m | 1,300 ft. 396m | 1,300 ft. 396m |
| SPAN CHOICES | | | |
| | 6 5/8 in., 8 5/8 in., 10 in. end feed only | 6 5/8 in. | 6 5/8 in. |
| GUIDANCE OPTIONS | | | |
| Below ground guidance | Yes | Yes | Yes |
| Furrow | Yes | Yes | Yes |
| Above ground cable | Yes | Yes | Yes |
| ALIGNMENT OPTIONS | | | |
| Modified | 5 spans or less | 5 spans or less | 5 spans or less |
| Full floating | 5 spans or more | 5 spans or more | 5 spans or more |
| HOSE DRAG OPTIONS | | | |
| Auto reverse option | Yes | Yes | Yes |
| Hose - HDPE | 4, 4 3/4, 6 & 8 in. 100, 120, 150 & 200mm | 3, 4, 4 3/4 & 6 in. 75, 100, 120 & 150mm | 4 3/4 & 6 in. 120 & 150mm |
| Power supply | genset or public power | genset or public power | genset or public power |
| Cart mounted pump | Yes | No | No |
| DITCH FEED OPTIONS | | | |
| Pumps | Cornell, Pioneer | No | Cornell |
| Chemigation platform | Yes | No | Yes |
| Large fields >120ac (48ha) | Yes | No | No |
| Self priming | No | No | Yes |



Rainger™



Two Wheel



Universal



Conserving Resources. Improving Life.

7002 North 288th Street
Valley, Nebraska 68064-0358 USA
Phone: 402-359-2201 (Ext. 3415)
Fax: 402-359-4429
E-mail: irrigation@valmont.com

International Fax: 402-359-4948
E-mail: vintl@valmont.com

www.valmont.com/irrigation/

For a complete explanation of specifications and features, please see your local authorized Valley® equipment dealer:

Valmont, Irrigation has a policy of continuous product improvement and development. As a result, certain changes in standard equipment, options, price, etc., may have occurred after the publication of this catalog. Some photographs and specifications may not be identical to current production. Your local Valley® dealer is your best source for up-to-date information. Valmont Irrigation reserves the right to change product design and specification at any time without incurring obligations.

©2006 Valmont Industries, Inc., Valley, NE 68064 USA. All rights reserved.

AD10198 RP 01/06